

Specification

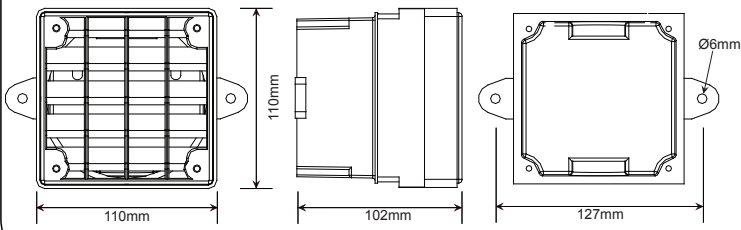
- Voltage : 24Vdc or 15 Vac
- Current : ~400mA
- Cable : 0.28mm² ~ 2.5mm²
- Temperature Range :- 25°C ~ +55°C
- Outdoor Use : Weatherproof

Options

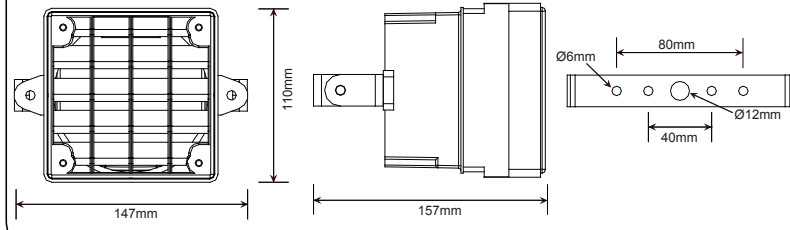
- Security Cage
- PIR (N/O)

Dimensions

Direct Wall Mounting



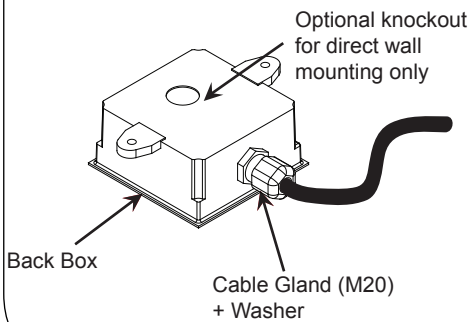
Bracket Wall Method



Installation

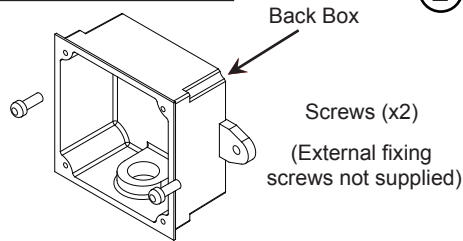
Back Box Preparation

①



Direct Wall Mounting

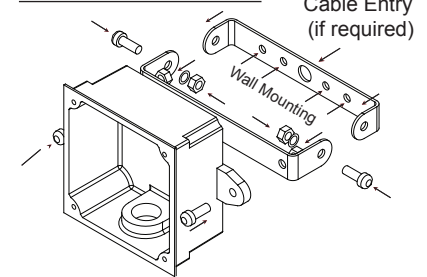
②



Note :- use suitable screws for the surface you are fixing the Mosquito Sounder to. Ensure all cable entries are suitably sealed against water ingress.

Bracket Wall Method

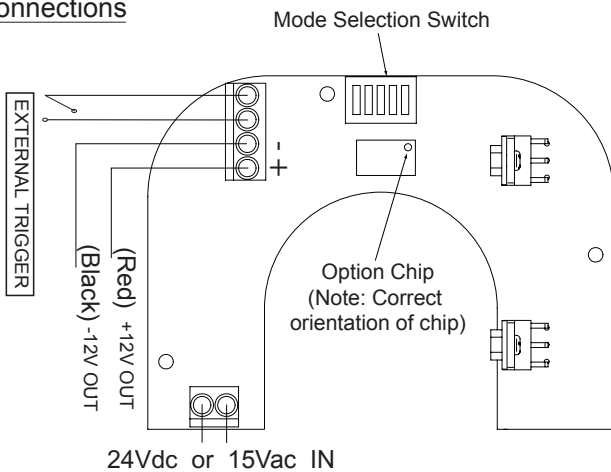
③



Mount bracket onto wall and assemble parts using Screws and Nuts supplied.

Connections

④



Switch Settings

⑤

Mode Select Switch

1 2 3 4 5

OPEN

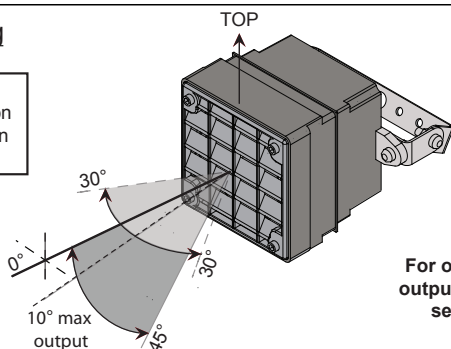
	Switch Setting			Sound Volume Levels			
	1	2	3	4	5	*High Power	*Low Power
	Trigger Options	Tone Type	Audible Beep	Open	Open	104db	94db
OPEN	* Sound 1 Minute	High Frequency	OFF	Open	Closed	100db	90db
CLOSED	* Sound 5 Minutes	Low Frequency	ON	Closed	Open	96db	86db
				Closed	Closed	94db	84db

* 1. Note: All these settings are dependant on the Chip Option Fitted.
2. Sound volume levels approximate only

Positioning

⑥

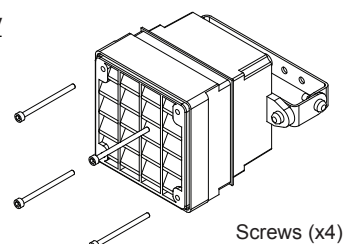
Important
During installation
notice orientation
of grill



For optimum sound output - see desired set up angles

Final Assembly

⑦



Note: Ensure cables do not become trapped in the casing. When wiring is completed, mount front of Mosquito Sounder onto the back box and fix using the screws provided.